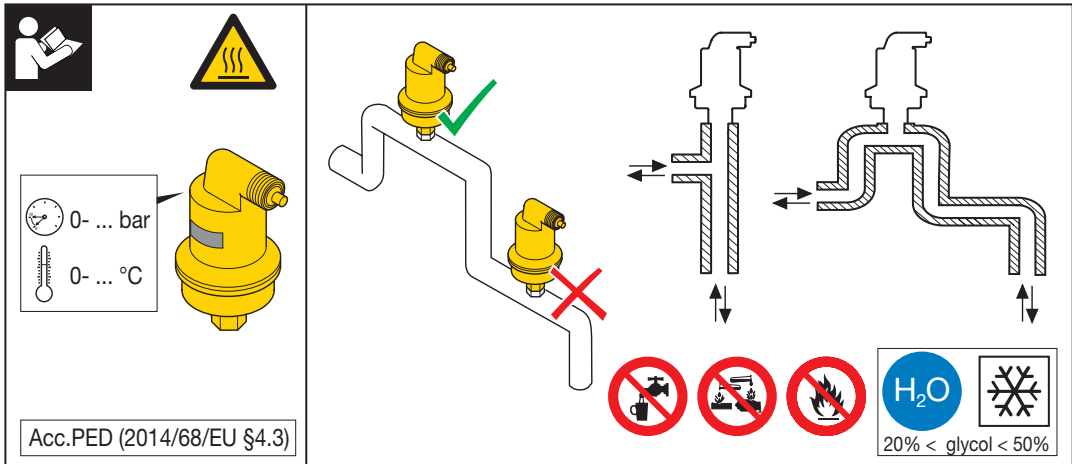


Mounting and operating instruction

For article no's starting with AB, except for ABS

EAC

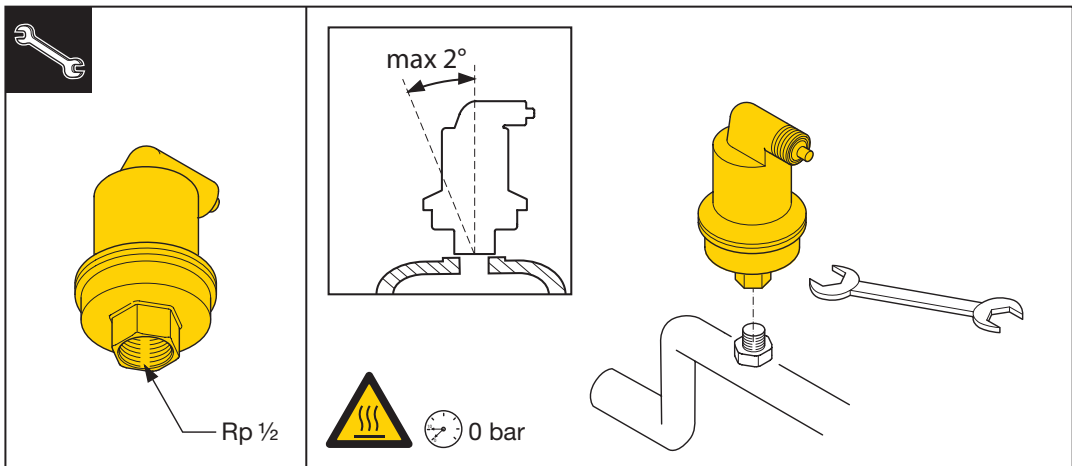
17.656_04



0- ... bar
0- ... °C

Acc.PED (2014/68/EU §4.3)

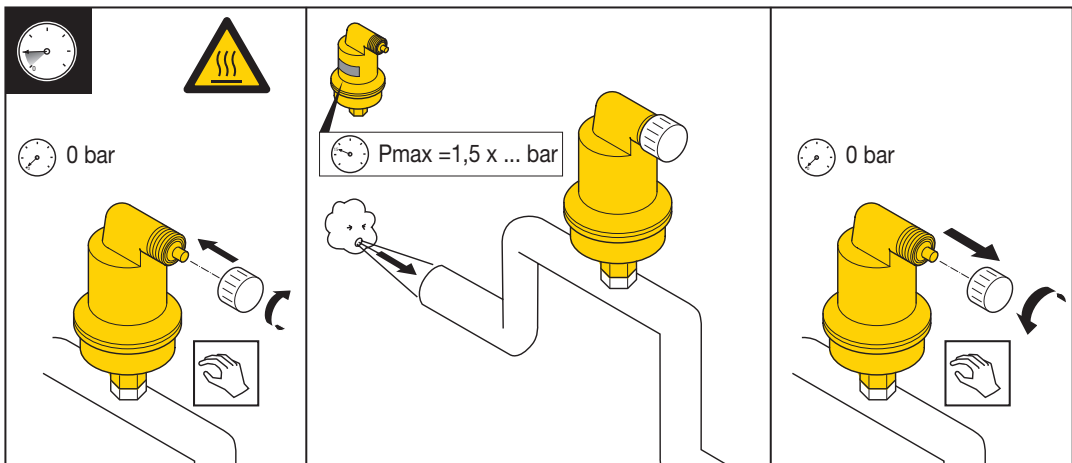
20% < glycol < 50%



Rp 1/2

max 2°

0 bar



0 bar

Pmax = 1,5 x ... bar

0 bar