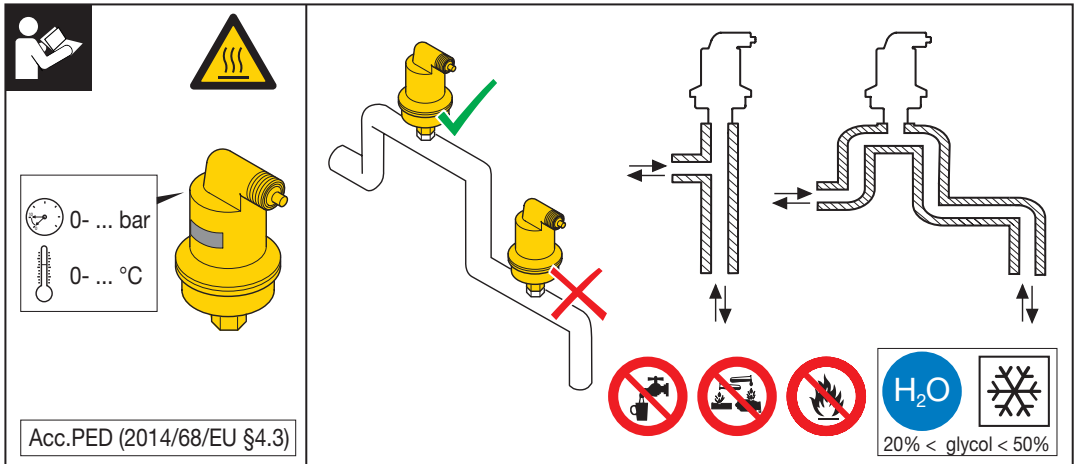


**Mounting and operating instruction**

For article no's starting with AB, except for ABS

**EAC**

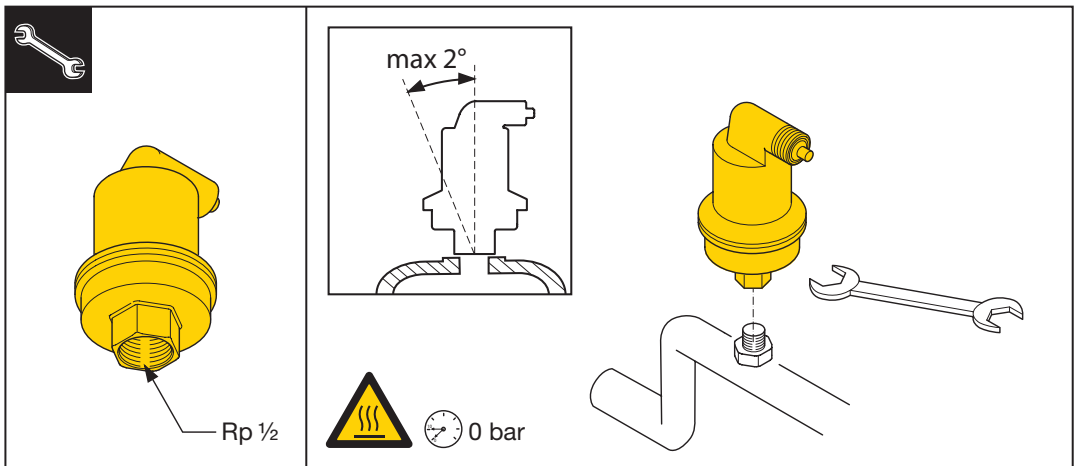
17.656\_04



0- ... bar  
0- ... °C

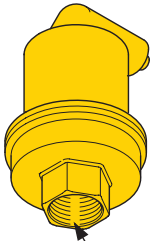
Acc.PED (2014/68/EU §4.3)

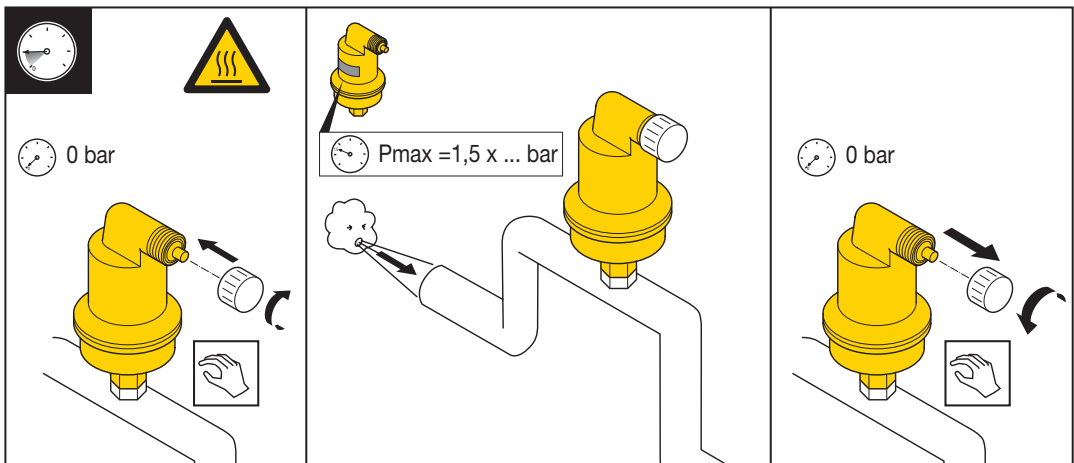
H<sub>2</sub>O  
20% < glycol < 50%




Rp 1/2

max 2°

 0 bar



0 bar



0 bar

P<sub>max</sub> = 1,5 x ... bar

0 bar