



**Mounting and operating instruction**


For article no's starting with AB, except for ABS

**EAC**

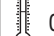
17.656\_04



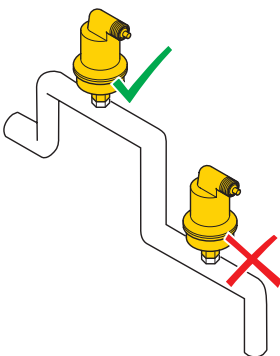


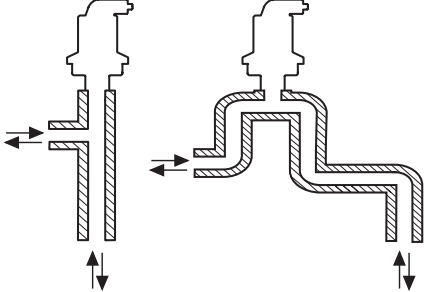



0- ... bar





0- ... °C








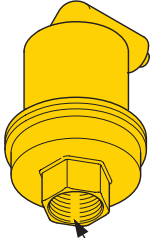




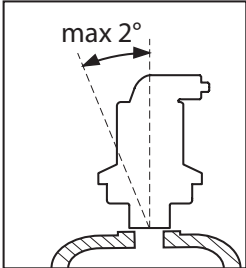
20% < glycol < 50%

Acc.PED (2014/68/EU §4.3)

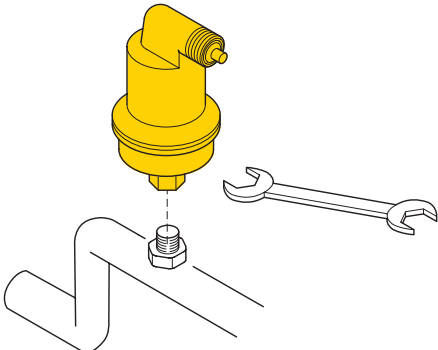






Rp 1/2




max 2°






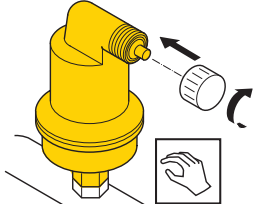


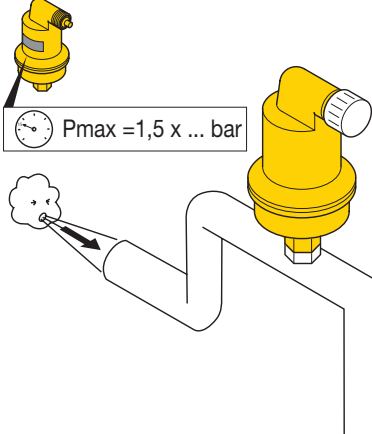
0 bar



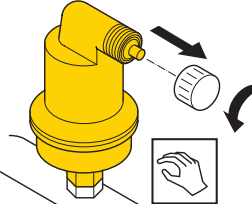
0 bar








Pmax = 1,5 x ... bar





0 bar